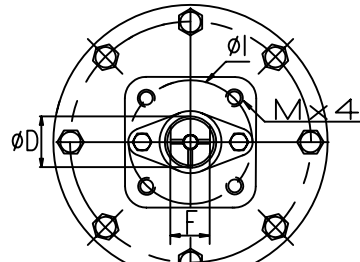


Top View for
1 1/2" ~ 4"



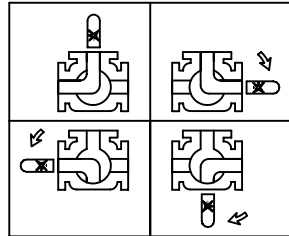
Top View for
6" ~ 12"

30-SERIES

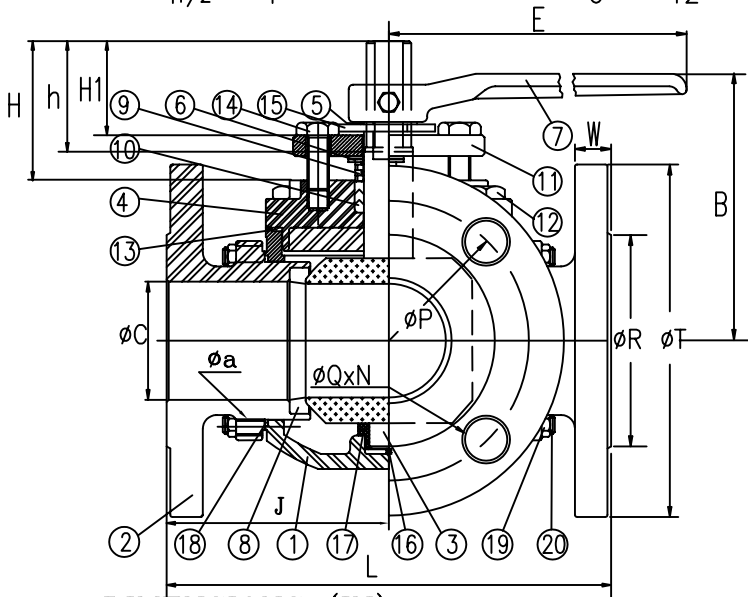
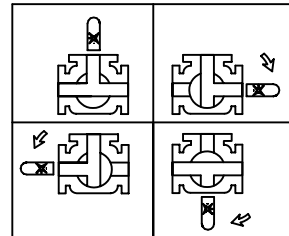
THREE-WAY BALL VALVE
FULL PORT, L OR T OPTION
30-F1L(CLASS 150), 30-F1T(CLASS 150)
30-F3L(CLASS 300), 30-F3T(CLASS 300)
VALVE SIZES 1 1/2" to 12"

FLOW PATTERNS

3-Way L-Port (30-1L, 30-2L)



3-Way T-Port (30-1T, 30-2T)



DIMENSIONS (IN)

SIZE	øa	B	øC	øD	E	F	H	H1	h	♦H	♦H1	øI	L	*L	M	N	*N	øP	*øP	øQ	*øQ	øR	øT	*øT	W	*W	ISO5211
1 1/2"	3/8"	4.53	1.57	0.866	11.50	0.669	1.81	1.14	1.50			1.97	7.13	8.66	3/8"	4	4	3.88	4.51	0.63	0.87	2.87	5.00	6.14	0.56	0.81	F05
2"	3/8"	4.80	1.97	0.866	11.50	0.669	1.73	1.14	1.61			2.76	8.66	9.37	3/8"	4	8	4.74	5.00	0.75	0.75	3.62	5.98	6.50	0.63	0.88	F07
2 1/2"	1/2"	6.42	2.60	1.161	15.16	0.669	2.56	1.26	1.85			2.76	11.14	11.14	7/16"	4	8	5.49	5.87	0.75	0.87	4.13	7.01	7.48	0.69	1.00	F07
3"	1/2"	6.89	2.99	1.161	15.16	0.669	2.40	1.50	1.89	3.03	1.81	4.02	12.22/11.46	11.85	7/16"	4	8	6.00	6.61	0.75	0.87	5.00	7.48	8.27	0.75	1.13	F10
4"	1/2"	8.46	3.98	1.339	20.87	0.906	2.20	1.06	1.89	3.23	1.65	4.92	13.70	15.12/13.78	1 1/2"	8	8	7.50	7.87	0.75	0.87	6.18	9.02	10.00	0.94	1.25	F12
6"	1/2"	10.08	5.94	1.771	31.50	1.378	3.03	1.34	1.89			4.92	17.64	18.43	1/2"	8	12	9.51	10.63	0.87	0.87	8.50	10.98	12.52	1.00	1.44	F12
8"	5/8"	11.93	7.91	2.362	39.37	1.772	3.35	2.13	2.28			6.50	20.94	20.94	5/8"	8	12	11.75	12.99	0.87	0.98	10.63	13.50	15.00	1.13	1.63	F16
10"	5/8"	12.99	9.84	2.362	39.37	1.772	3.78	2.72	2.17			6.50	27.68	27.68	5/8"	12	16	14.25	15.26	0.98	1.14	12.76	15.98	17.48	1.19	1.88	F16
12"	5/8"	14.67	11.81	2.756	39.37	2.165			2.56			6.50	29.92	29.92	5/8"	12	16	17.00	17.76	0.98	1.26	15.00	19.02	20.51	1.25	2.00	F16

MATERIALS LIST

NO.	PART NAME	QTY	316 STAINLESS STEEL	CARBON STEEL
1	Body	1	CF8M	A216 GR. WCB
2	Flange Cap	3	CF8M	A216 GR. WCB
3	Ball & Stem	1	SS316	SS304
4	Top Cover	1	CF8M	A216 GR. WCB
5	C Retainer Ring	1	SS301	SS301
6	Belleville Washer	2	SS301	50CrV
7	Handle	1	Cast Iron	Cast Iron
+8	Ball Seat	3	RPTFE	RPTFE
9	Gland	1	SS304	SS304
+10	V-Ring Packing	3	PTFE	PTFE
11	Bonnet Cap	1	CF8M	CF8M
12	Cover Bolt	*	ASTM A193 Gr.B8	S45C
+13	Cover Joint Gasket	1	PTFE	PTFE
14	Bonnet Cap Bolt	2	ASTM A193 Gr.B8	S45C
15	Stopper	1	SS304	SS304
16	Spring	1	SS304	SS304
17	Bushing	1	§	§
+18	Cap Joint Gasket	3	PTFE	PTFE
19	Nut	‡	SS304	S45C
20	Stud	‡	SS304	S45C

§ 50% Stainless Steel Powder Filled PTFE

* For 1 1/2" to 4"-4pcs, For 6" to 10"-8pcs

‡ For 1 1/2" to 4"-12pcs, For 6" to 10"-24pcs

+ REPAIR KIT PARTS

* Dimension for ANSI Class 300

♦ Dimension for (Investment Cast)

THE DESIGN AND DISCLOSURE CONTAINED IN THIS DRAWING WAS ORIGINATED BY, AND IS EXCLUSIVE PROPERTY OF A-T CONTROLS, INC. IT IS FURNISHED FOR VENDOR INFORMATION ONLY AND IS NOT AN AUTHORIZATION -OR- LICENSE TO MAKE THIS CONSTRUCTION OR TO FURNISH THIS INFORMATION TO OTHERS. ALL DRAWINGS MUST BE RETURNED TO A-T CONTROLS, INC. ON DEMAND. THIS DRAWING IS NOT TO BE REPRODUCED OR COPIED IN ANY FORM WITHOUT THE EXPRESS WRITTEN PERMISSION OF A-T CONTROLS, INC.



Division of A-T Controls, Inc.
11363 Deerfield Road
Cincinnati, Ohio 45242
Phone: (513) 247-5465
Fax: (513) 247-5462

DRAWN BAG	CHECKED BY	APPROVED
DATE 08/29/03	DATE	DATE
TITLE A-T CONTROLS 30-SERIES 3-WAY 316 STAINLESS STEEL BALL VALVE		

TOLERANCE UNLESS OTHERWISE SPECIFIED:
TWO PLACE DECIMAL
DIM. ± 0.02
THREE PLACE DECIMAL
DIM. ± 0.010
ANGULAR DIM. ± 0°-30°
DO NOT SCALE DRAWINGS

162	04/13/04	BAG
ECN#	DATE	BY